

Flow Measurement

SITRANS F X

SITRANS FX330

Overview



SITRANS FX vortex flowmeters are designed for use in industrial applications and optimally suited to the demands in auxiliary supply systems.

The proven principle of vortex flowmeters is suitable for measurement of liquids, gases and vapors unaffected by conductivity, viscosity, temperature and pressure.

Benefits

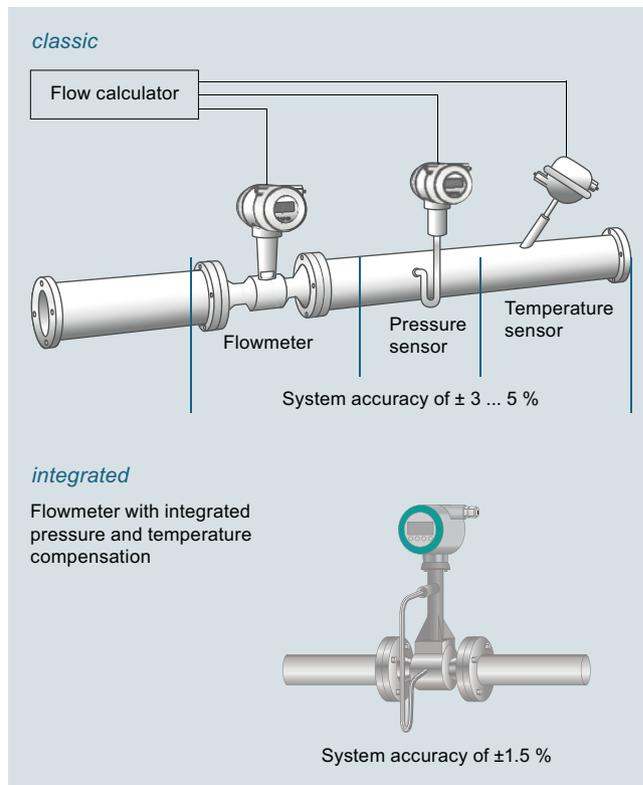
- Integrated pressure and temperature compensation
- Temperature compensation for saturated steam included as standard
- High measuring accuracy
- Maintenance-free sensor
- Non-wearing, fully welded stainless steel construction with high resistance to corrosion, pressure and temperature
- SIL2 certified according to IEC 61508 Edition 2
- Use in hazardous areas
- Integrated reduction of nominal diameter for space-saving and economic installation and large measuring ranges
- Redundant data management: Easy exchange of electronics without loss of calibration and configuration data
- FAD (Free Air Delivery) functionality
- Gross and net heat calculation to support advanced energy management
- Remote version with cable length up to 50 m (164 ft) (in preparation)

Even the basic version of the vortex flowmeter SITRANS FX330 is equipped with temperature compensation for saturated steam applications. With the optional pressure sensor the SITRANS FX330 has integrated density compensation for calculation of corrected volume and mass (online density compensation). The density compensation for calculation of corrected volume and mass is based on the standards of NIST for gases and IAPWS for steam.

Higher measuring accuracy with the use of compact measuring systems

With the classic installation of a vortex flowmeter and separate pressure and temperature sensor as well as flow calculator, all errors occurring in the measuring chain must be taken into account when determining system accuracy. This can result in a measuring error between ± 3 to 5 %.

Using a vortex flowmeter with integrated pressure and temperature compensation such as the SITRANS FX330 allows you not only to lower installation costs but also increase the measuring accuracy of the measuring point. In this case the accuracy is ± 1.5 % of the measured value.



The SITRANS FX330 in flanged design is available with integrated reduction of nominal diameter for space-saving installations and large measuring spans. About 90% of all vortex flowmeters are ordered one size smaller than the line diameter in order to increase the flow speed and to get a wider measuring range. Here, the line has to be reduced before and widened after the sensor, typically including 20x DN inlet and 5x DN outlet run. With the reduction and widening of nominal diameter included in the sensor, it is no longer necessary. To compensate the non-existent straight inlet run between reduction and the vortex bluff body, these devices are specially calibrated and linearized.

A new feature of the SITRANS FX330 is the advanced signal processing and filtering called AVFD (Advanced Vortex Frequency Detection): Interferences and disturbances in the measuring signal are suppressed, signals outside of the relevant frequency band are filtered out.

Redundant data management prevents loss of calibration and configuration data when changing electronics or display.

By default, all SITRANS FX330 meters are factory-calibrated (traceable to international standards) and pre-set according to customer specifications. The SITRANS FX330 also comes with an installation wizard to ease installation; e.g. in a steam application it will only show related settings.

Developed according to the standard IEC 61508 edition 2, the SITRANS FX330 can be used in safety-related application with classification SIL2 for continuous volume flow measurement.

Application

- Measurement of saturated steam and superheated steam
- Steam boiler monitoring
- Heat metering of steam and hot water
- Measurement of consumption of industrial gases
- Measurement of consumption in compressed air systems
- Monitoring of compressor output
- Evaluation of Free Air Delivery (FAD)
- SIP and CIP processes in the food, beverage and pharmaceutical industries
- Measuring of conductive and non-conductive liquids
- Safety-related measurement in SIL applications (SIL2)

Gross and net heat quantity calculation

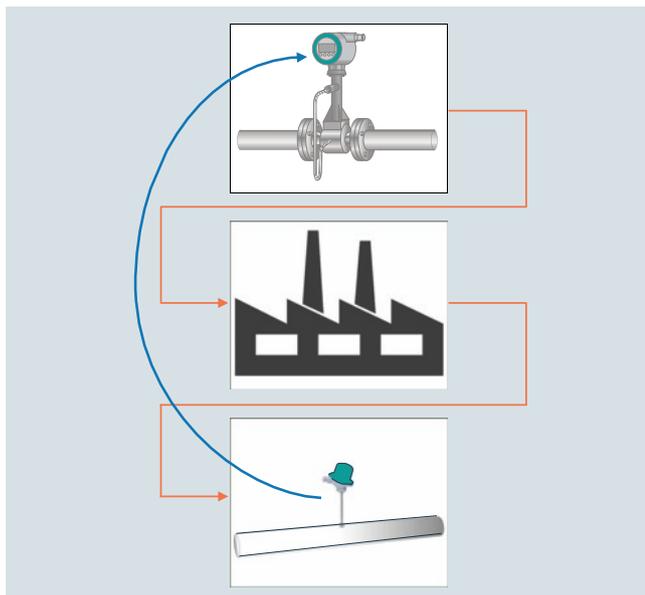
The SITRANS FX330 was designed for applications in auxiliary and supply service lines, such as internal monitoring of energy flows for saturated and superheated steam or hot water. Equipped with temperature sensor as standard, the device can be installed as heat meter in the feed line directly connected with an external temperature sensor in the return line. The gross and net heat calculation can be fed into a DCS to support advanced energy management.

When it comes to energy, the most accurate measurement of consumption is essential. By combining flow, temperature and pressure measurements in one device, SITRANS FX330 provides the basis for a precise mass flow calculation.

In steam applications, the software even determines the enthalpy - the heat content - of the steam. Therefore, SITRANS FX330 is able to calculate the gross heat quantity.

In case net heat quantity consumption of process is asked for, a single temperature sensor can be added to the return line. SITRANS FX330 uses the readings to calculate the amount of heat consumed.

The SITRANS FX330 thereby proves itself to be a reliable partner.

**Design**

SITRANS FX330 Flange	SITRANS FX330 Sandwich
	
Flanged version with integrated temperature compensation as standard for saturated steam and optional pressure compensation for superheated steam, gases and wet gases.	All advantages of the flanged version in a space-saving sandwich design; centering rings guarantee an easy installation without any offset.
Integrated reduction of nominal diameter for space-saving and economic installations plus large measuring ranges.	Integrated reduction of nominal diameter not available
Also in remote design with field housing and connection cable up to 50 m/164 ft (in preparation)	
With shut-off valve allowing	
<ul style="list-style-type: none"> • exchange and calibration of pressure sensor • pressure and leak testing of pipeline without interrupting the process 	

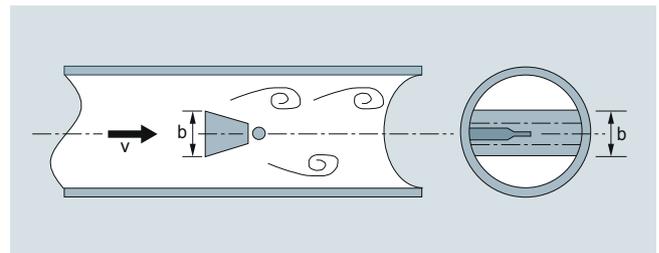
Function

Vortex flowmeters are used to measure the flow of gases, vapors and liquids in completely filled pipes. The measuring principle is based on the principle of the Karman vortex street. Inside the measuring sensor vortices are shed from a bluff body and are detected by a sensor located behind. The frequency f of the vortex shedding is proportional to the flow velocity v .

The nondimensional Strouhal number S describes the relationship between vortex frequency f , width b of the bluff body and the mean flow velocity v :

$$f = (S \cdot v) / b$$

The vortex frequency is recorded at the sensor and evaluated at the converter.



Functional principle

Flow Measurement

SITRANS F X

SITRANS FX330

Technical data

Range of application	Flow measurement of liquids, gases and vapors	
Mode of operation	Measuring principle: Karman vortex street Primary measured value: <ul style="list-style-type: none"> • Volume flow • Mass flow • Corrected volume flow • Density • Temperature • Pressure • Heat energy 	
Design		
Transmitter	Cable length up to 50 m (164 ft) (in preparation)	
• Compact and remote version		
Sensor	Flanged version	Sandwich version
• Integrated temperature measurement	•	•
• Reduction of nominal diameter	•	
• Pressure and temperature compensation	•	•
• Isolation valve	•	•
• Dual measuring device	•	
Display	4-line graphical display (backlit) with control keys	
Operation	<ul style="list-style-type: none"> • Via local display (languages: German, English, French) • Via SIMATIC PDM 	
Accuracy		
Volume flow		
• Liquids		
- $Re \geq 20\,000$	$\pm 0.75\%$ of measured value	
- $10\,000 < Re < 20\,000$	$\pm 2.0\%$ of measured value	
• Gases and vapors		
- $Re \geq 20\,000$	$\pm 1.0\%$ of measured value	
- $10\,000 < Re < 20\,000$	$\pm 2.0\%$ of measured value	
Mass flow/Corrected volume flow		
• Gases and vapors		
- $Re \geq 20\,000$	$\pm 1.5\%$ of measured value	
- $10\,000 < Re < 20\,000$	$\pm 2.5\%$ of measured value	
Mass flow		
• Liquids/water		
- $Re \geq 20\,000$	$\pm 1.5\%$ of measured value	
- $10\,000 < Re < 20\,000$	$\pm 2.5\%$ of measured value	
Repeatability (Volume flow)	$\pm 0.1\%$ of measured value	

Operating conditions

Temperature ratings	
• Medium	-40 ... +240 °C (-40 ... +465 °F)
• Ambient	
- Non-Ex	-40 ... +85 °C (-40 ... +185 °F)
- Ex	-40 ... +65 °C (-40 ... +140 °F)
• Storage	-50 ... +85 °C (-58 ... +185 °F)
Pressure ratings	Max. 100 bar (1450 psi), higher pressure rates on request
Max. allowable test pressure	
• With integrated pressure sensor and isolation valve (closed)	1.5 x PN
• With integrated pressure sensor and without isolation valve	2 times the measuring range of pressure sensor
Process medium	
• Density	Taken into consideration when sizing
• Viscosity	< 10 cP
• Reynold's number	> 10000
Recommended flow velocities	
• Liquids	0.3 ... 7 m/s (0.98 ... 23 ft/s)
• Gases and vapors	2.0 ... 80 m/s (6.6 ... 262.5 ft/s)
DN 15:	3.0 ... 45 m/s (9.8 ... 148 ft/s)
DN 25:	2.0 ... 70 m/s (6.6 ... 230 ft/s)
	For detailed information see operating instructions "Intended use"

Installation conditions

Inlet run	
• For undisturbed flow profile, after pipe section with reducer, after 1 x 90° pipe bend	$\geq 15 \times DN$
• After 2 x 90° pipe bend	$\geq 30 \times DN$
• After 2 x 90° three-dimensional pipe bend	$\geq 40 \times DN$
• After control valves	$\geq 50 \times DN$
• Before flow conditioner	$\geq 2 \times DN$
• After flow conditioner	$\geq 8 \times DN$
Outlet run	$\geq 5 \times DN$

Material

Sensor and process connections	
• Standard	1.4404/316L
• Option	Hastelloy C22 (on request)
Transmitter housing	
• Standard	Aluminum die-cast, two-layer coating (epoxy/polyester)
• Option	Die-cast aluminum with finish for advanced requirements
Pressure sensor gasket	
• Standard	FPM
• Option	FFKM
Sensor gasket (Pick-up)	
• Standard	1.4435/316L
• Option	Hastelloy C276

Process connections

DIN EN 1092-1	DN 15 ... DN 300/PN 16 ... PN 100
ANSI B16.5	½" ... 12"/150 ... 600 lb
	For valid combinations of connection size and pressure rating see table "Sensor variants"

Enclosure rating	
Standard	Compact and remote version: IP66/IP67
Option	Remote version: IP66/IP68 for sensor
Power supply	
Non-Ex version	12 ... 36 V DC
Ex version	12 ... 30 V DC
Inputs/Outputs	
Current output	4 ... 20 mA, HART
Binary output	Pulse/Frequency/Status/Limit switch
Current input	4 ... 20 mA, passive
Communication	
HART 7	
Calibration	
Standard calibration	3-point calibration: 3 x 15 %, 3 x 50 %, 3 x 80 %
Special calibration	5-point calibration: 3 x 15 %, 3 x 30 %, 3 x 50 %, 3 x 60 %, 3 x 80 %
Certificates and approvals	
Ex approvals	ATEX, QPS, IECEx
CE declaration of conformity	PED 2014/68/EU EMC 2014/30/EU
Safety integration level (SIL)	SIL2 according to IEC 61508

Flow Measurement

SITRANS F X

SITRANS FX330

Available combinations of sensor and connection size for SITRANS FX330 in flanged design are shown in the table below.

Sensor size	Connection size	EN 1092-1, Form B1/B2, PN 10	EN 1092-1, Form B1/B2, PN 16	EN 1092-1, Form B1/B2, PN 25	EN 1092-1, Form B1/B2, PN 40	EN 1092-1, Form B1/B2, PN 63	EN 1092-1, Form B1/B2, PN 100	ANSI B16.5, Class 150	ANSI B16.5, Class 300	ANSI B16.5, Class 600
SITRANS FX330 Flanged (7ME2610-...)										
DN 15	DN 15	-	-	-	●	-	●	●	●	●
	DN 25	-	-	-	●	-	●	●	●	●
	DN 40	-	-	-	●	-	●	●	●	●
DN 25	DN 25	-	-	-	●	-	●	●	●	●
	DN 40	-	-	-	●	-	●	●	●	●
	DN 50	-	●	-	●	●	●	●	●	●
DN 40	DN 40	-	-	-	●	-	●	●	●	●
	DN 50	-	●	-	●	●	●	●	●	●
	DN 80	-	●	-	●	●	●	●	●	●
DN 50	DN 50	-	●	-	●	●	●	●	●	●
	DN 80	-	●	-	●	●	●	●	●	●
	DN 100	-	●	-	●	●	●	●	●	●
DN 80	DN 80	-	●	-	●	●	●	●	●	●
	DN 100	-	●	-	●	●	●	●	●	●
	DN 150	-	●	-	●	●	●	●	●	●
DN 100	DN 100	-	●	-	●	●	●	●	●	●
	DN 150	-	●	-	●	●	●	●	●	●
	DN 200	●	●	●	●	-	-	●	●	-
DN 150	DN 150	-	●	-	●	●	●	●	●	●
	DN 200	●	●	●	●	-	-	●	●	-
	DN 250	●	●	●	●	-	-	●	●	-
DN 200	DN 200	●	●	●	●	-	-	●	●	-
	DN 250	●	●	●	●	-	-	●	●	-
	DN 300	●	●	●	●	-	-	●	●	-
DN 250	DN 250	●	●	●	●	-	-	●	●	-
	DN 300	●	●	●	●	-	-	●	●	-
DN 300	DN 300	●	●	●	●	-	-	●	●	-

- available
- not available

Selection and Ordering data		Article No.	Ord. code	Selection and Ordering data		Article No.	Ord. code
SITRANS FX330 Flanged				SITRANS FX330 Flanged			
• Not approved for SIL2 safety applications		7ME2610-		• Not approved for SIL2 safety applications		7ME2610-	
• Approved for SIL2 safety applications		7ME2611-		• Approved for SIL2 safety applications		7ME2611-	
Click on the Article No. for the online configuration in the PIA Life Cycle Portal.							
Sensor size	Connection size			Communication			
DN 15 (1/2")	DN 15 (1/2")	1 A		HART	0		
	DN 25 (1")	1 B		PROFIBUS PA (in preparation)	1		
	DN 40 (1 1/2")	1 C		FOUNDATION Fieldbus (in preparation)	2		
DN 25 (1")	DN 25 (1")	2 B		Ex approval			
	DN 40 (1 1/2")	2 C		Without Ex approval		A	
	DN 50 (2")	2 D		ATEX II2 G Ex ia		B	
DN 40 (1 1/2")	DN 40 (1 1/2")	2 K		ATEX II2 G Ex d		C	
	DN 50 (2")	2 L		ATEX II3 G Ex nA		D	
	DN 80 (3")	2 M		ATEX II2 D Ex tb		E	
DN 50 (2")	DN 50 (2")	2 R		QPS IS Class I Div.1		F	
	DN 80 (3")	2 S		QPS XP Class I Div.1		G	
	DN 100 (4")	2 T		QPS NI Class I Div. 2		H	
DN 80 (3")	DN 80 (3")	3 L		QPS DIP Class I, III Div. 1		J	
	DN 100 (4")	3 M		IECEX II2 G Ex ia		K	
	DN 150 (6")	3 R		IECEX II2 G Ex d		L	
DN 100 (4")	DN 100 (4")	3 S		IECEX II3 G Ex nA		M	
	DN 150 (6")	3 T		IECEX II2 D Ex tb		N	
	DN 200 (8")	3 Q		Pressure sensor and gasket material			
DN 150 (6")	DN 150 (6")	4 M		Without pressure sensor		A	
	DN 200 (8")	4 P		With pressure sensor and gasket material			
	DN 250 (10")	4 Q		FPM (Viton), Range:			
DN 200 (8")	DN 200 (8")	4 T		1 bar (14.5 psi)		B	
	DN 250 (10")	4 U		2 bar (29 psi)		C	
	DN 300 (12")	4 V		4 bar (58 psi)		D	
DN 250 (10")	DN 250 (10")	4 W		6 bar (87 psi)		E	
	DN 300 (12")	4 Y		10 bar (145 psi)		F	
DN 300 (12")	DN 300 (12")	5 E		16 bar (232 psi)		G	
				25 bar (363 psi)		H	
				40 bar (580 psi)		J	
				60 bar (870 psi)		K	
				100 bar (1450 psi)		L	
				With pressure sensor and gasket material			
				FFKM (Kalrez), Range:			
				1 bar (14.5 psi)		M	
				2 bar (29 psi)		N	
				4 bar (58 psi)		P	
				6 bar (87 psi)		Q	
				10 bar (145 psi)		R	
				16 bar (232 psi)		S	
				25 bar (363 psi)		T	
				40 bar (580 psi)		U	
				60 bar (870 psi)		V	
				100 bar (1450 psi)		W	
				Software version			
				Standard - Uncompensated for gases, steam and liquids including temperature compensation for saturated steam		0	
				Standard + Heat meter for saturated steam and water		1	
				Density compensation for steam + Heat meter for saturated and superheated steam		2	
				Density compensation for gases, wet gases and mixed gases + FAD		3	
Process connection and pressure rate							
EN 1092-1 Form B1							
PN 10	DN 200 ... 300	A					
PN 16	DN 50 ... 300	B					
PN 25	DN 200 ... 300	C					
PN 40	DN 15 ... 300	D					
PN 63	DN 50 ... 150	E					
PN 100	DN 15 ... 150	F					
ANSI B16.5 RF							
Class 150	1/2 ... 12"	J					
Class 300	1/2 ... 12"	K					
Class 600	1/2 ... 6"	L					
System design							
Compact version	No cable	0					
Remote version (in preparation)	Cable length with Order code L..	1					
Transmitter housing							
Aluminum		0					
Aluminum, silicon free		1					
Dual version, aluminum		6					
Dual version, aluminum, silicon free		7					

Flow Measurement

SITRANS F X

SITRANS FX330

Selection and Ordering data

Order code

Additional information

Please add “-Z” to Article No. and specify as minimum Order code Y40, Y41, Y42 and Y45 and plain text.

Application data

Medium: Specify medium (Liquid, gas, steam or customer-specific)	Y40
Temperature: Specify operating temperature with unit	Y41
Pressure: Specify operating pressure with unit	Y42
Density (only for customer-specified medium): Specify density with unit	Y43
Viscosity (only for customer-specified medium): Specify viscosity with unit	Y44
Flow rate: Specify max. flow rate with units	Y45
Pulse output setting: Specify pulse value (1 pulse/unit)	Y47

Operating instruction

Description	Article No.
English	A5E2100423

All literature is available to download for free, in a range of languages, at www.siemens.com/processinstrumentation/documentation

Selection and Ordering data

Order code

Further designs

Please add “-Z” to Article No. and specify Order code.

Cable connection

Without cable glands	A01
M20x1.5 cable glands made of plastic, grey	A02
• 3 pcs.	A12
• 2 pcs.	A22
• 1 pc.	
M20x1.5 cable glands made of plastic, blue	A03
• 3 pcs.	A13
• 2 pcs.	A23
• 1 pc.	
M20x1.5 cable glands made of brass, Ex-d/t approved	A04
• 3 pcs.	A14
• 2 pcs.	A24
• 1 pc.	
M20x1.5 cable glands made of brass, Ex-nA approved	A05
• 3 pcs.	A15
• 2 pcs.	A25
• 1 pc.	
M20x1.5 cable glands in stainless steel, Ex-d/t approved	A06
• 3 pcs.	A16
• 2 pcs.	A26
• 1 pc.	
1/2" NPT conduit connection in plastic (cable glands not included)	A07
• 3 pcs.	A17
• 2 pcs.	A27
• 1 pc.	

Selection and Ordering data

Order code

Isolation valve

With isolation valve **B10**

Certificates

Certificate of compliance according to EN 10204-2.1	C10
Pressure test + Inspection certificate according to EN 10204-3.1	C11
Material certification of pressure bearing metal parts according to EN 10204-3.1	C12
Material in accordance with NACE MR0175/ISO 15156	C13
PMI of pressure bearing metal parts + Inspection certificate according to EN 10204-3.1	C14
Material certificate of pressure bearing metal parts according to EN 10204-3.1 + PMI	C15
Dye penetration test of wetted welds	C16
X-ray test of wetted welds	C17

Calibration

5-point calibration with certificate **D11**

Cleaning

Free of oil and grease (wetted parts)	K46
Free of oil and grease (wetted parts) + Inspection certificate according to EN 10204-3.1	K48

Cable length for remote version (in preparation)

5 m (16 ft)	L01
10 m (32 ft)	L02
15 m (49 ft)	L03
20 m (65 ft)	L04
25 m (82 ft)	L05
30 m (98 ft)	L06
35 m (114 ft)	L07
40 m (131 ft)	L08
45 m (147 ft)	L09
50 m (164 ft)	L10

Tag name plate

TAG name plate in stainless steel 40 x 20mm (Add plain text)	Y17
TAG name plate in stainless steel tag 120 x 46 mm (Add plain text)	Y18

Selection and Ordering data		Article No.	Ord. code	Selection and Ordering data		Article No.	Ord. code
SITRANS FX330 Sandwich				SITRANS FX330 Sandwich			
<ul style="list-style-type: none"> • Not approved for SIL2 safety applications 		7 ME 2 7 1 0 -		<ul style="list-style-type: none"> • Not approved for SIL2 safety applications 		7 ME 2 7 1 0 -	
<ul style="list-style-type: none"> • Approved for SIL2 safety applications 		7 ME 2 7 1 1 -		<ul style="list-style-type: none"> • Approved for SIL2 safety applications 		7 ME 2 7 1 1 -	
↗ Click on the Article No. for the online configuration in the PIA Life Cycle Portal.							
Sensor size				Communication			
DN 15 (½")		1 A		HART		0	
DN 25 (1")		2 B		PROFIBUS PA (in preparation)		1	
DN 40 (1½")		2 K		FOUNDATION Fieldbus (in preparation)		2	
DN 50 (2")		2 R		Ex approval			
DN 80 (3")		3 L		Without Ex approval			A
DN 100 (4")		3 S		ATEX II2 G Ex ia			B
Pressure rating				ATEX II2 G Ex d			C
EN 1092-1				ATEX II3 G Ex nA			D
PN 16	DN 15 ... 100	B		ATEX II2 D Ex tb			E
PN 25	DN 15 ... 100	C		QPS IS Class I Div.1			F
PN 40	DN 15 ... 100	D		QPS XP Class I Div.1			G
PN 63	DN 15 ... 100	E		QPS NI Class I Div. 2			H
PN 100	DN 15 ... 100	F		QPS DIP Class I, III Div. 1			J
ANSI B16.5				IECEX II2 G Ex ia			K
Class 150	½ ... 4"	J		IECEX II2 G Ex d			L
Class 300	½ ... 4"	K		IECEX II3 G Ex nA			M
Class 600	½ ... 4"	L		IECEX II2 D Ex tb			N
System design				Pressure sensor and gasket material			
Compact version	No cable	0		Without pressure sensor			A
Remote version (in preparation)	Cable length with Order code L...	1		With pressure sensor and gasket material FPM (Viton), Range:			B
Transmitter housing				1 bar (14.5 psi)			C
Aluminum		0		2 bar (29 psi)			D
Aluminum, silicon free		1		4 bar (58 psi)			E
				6 bar (87 psi)			F
				10 bar (145 psi)			G
				16 bar (232 psi)			H
				25 bar (363 psi)			J
				40 bar (580 psi)			K
				60 bar (870 psi)			L
				100 bar (1450 psi)			
				With pressure sensor and gasket material FFKM (Kalrez), Range:			M
				1 bar (14.5 psi)			N
				2 bar (29 psi)			P
				4 bar (58 psi)			Q
				6 bar (87 psi)			R
				10 bar (145 psi)			S
				16 bar (232 psi)			T
				25 bar (363 psi)			U
				40 bar (580 psi)			V
				60 bar (870 psi)			W
				100 bar (1450 psi)			
				Software version			
				Standard - Uncompensated for gases, steam and liquids including temperature compensation for saturated steam			0
				Standard + Heat meter for saturated steam and water			1
				Density compensation for steam + Heat meter for saturated and superheated steam			2
				Density compensation for gases, wet gases and mixed gases + FAD			3

Flow Measurement

SITRANS F X

SITRANS FX330

Selection and Ordering data

Order code

Additional information

Please add "-Z" to Article No. and specify as minimum Order code Y40, Y41, Y42 and Y45 and plain text.

Application data

Medium: Specify medium (Liquid, gas, steam or customer-specific)	Y40
Temperature: Specify operating temperature with unit	Y41
Pressure: Specify operating pressure with unit	Y42
Density (only for customer-specified medium): Specify density with unit	Y43
Viscosity (only for customer-specified medium): Specify viscosity with unit	Y44
Flow rate: Specify max. flow rate with units	Y45
Pulse output setting: Specify pulse value (1 pulse/unit)	Y47

Operating instruction

Description	Article No.
English	A5E2100423

All literature is available to download for free, in a range of languages, at www.siemens.com/processinstrumentation/documentation

Selection and Ordering data

Order code

Further designs

Please add "-Z" to Article No. and specify Order code.

Cable connection

Without cable glands	A01
M20x1.5 cable glands made of plastic, grey	A02
• 3 pcs.	A12
• 2 pcs.	A22
• 1 pc.	
M20x1.5 cable glands made of plastic, blue	A03
• 3 pcs.	A13
• 2 pcs.	A23
• 1 pc.	
M20x1.5 cable glands made of brass, Ex-d/t approved	A04
• 3 pcs.	A14
• 2 pcs.	A24
• 1 pc.	
M20x1.5 cable glands made of brass, Ex-nA approved	A05
• 3 pcs.	A15
• 2 pcs.	A25
• 1 pc.	
M20x1.5 cable glands in stainless steel, Ex-d/t approved	A06
• 3 pcs.	A16
• 2 pcs.	A26
• 1 pc.	
1/2" NPT conduit connection in plastic (cable glands not included)	A07
• 3 pcs.	A17
• 2 pcs.	A27
• 1 pc.	

Selection and Ordering data

Order code

Isolation valve

With isolation valve **B10**

Certificates

Certificate of compliance according to EN 10204-2.1	C10
Pressure test + Inspection certificate according to EN 10204-3.1	C11
Material certification of pressure bearing metal parts according to EN 10204-3.1	C12
Material in accordance with NACE MR0175/ISO 15156	C13
PMI of pressure bearing metal parts + Inspection certificate according to EN 10204-3.1	C14
Material certificate of pressure bearing metal parts according to EN 10204-3.1 + PMI	C15
Dye penetration test of wetted welds	C16
X-ray test of wetted welds	C17

Calibration

5-point calibration with certificate **D11**

Cleaning

Free of oil and grease (wetted parts)	K46
Free of oil and grease (wetted parts) + Inspection certificate according to EN 10204-3.1	K48

Cable length for remote version (in preparation)

5 m (16 ft)	L01
10 m (32 ft)	L02
15 m (49 ft)	L03
20 m (65 ft)	L04
25 m (82 ft)	L05
30 m (98 ft)	L06
35 m (114 ft)	L07
40 m (131 ft)	L08
45 m (147 ft)	L09
50 m (164 ft)	L10

Tag name plate

TAG name plate in stainless steel 40 x 20mm (Add plain text)	Y17
TAG name plate in stainless steel tag 120 x 46 mm (Add plain text)	Y18

SITRANS FX330 spare parts

Description	Article No.
Transmitter electronic for SITRANS FX330	
• FXT030 in compact design with HART (non-Ex/Ex-i)	A5E38663070
• FXT030 in compact design with HART (Ex-d)	A5E38663398
• FXT030 in remote design with HART (non-Ex/Ex-i)	A5E38663422
• FXT030 in remote design with HART (Ex-d)	A5E38663454
Sensor electronic for SITRANS FX330 in remote design (non-Ex/Ex-i/Ex-d)	A5E38663481
Display lid (non Ex) in painted aluminum with O-ring seal	A5E38663502
Display lid (Ex) in painted aluminum with O-ring seal	A5E38663517
Blind lid in painted aluminum with O-ring seal	A5E38663529
Display with HMI and data memory	A5E38663613
Sensor cable, grey (non-Ex)	
• 5 m (16 ft)	A5E38663641
• 10 m (32 ft)	A5E38663753
• 15 m (49 ft)	A5E38663838
• 20 m (65 ft)	A5E38663871
• 25 m (82 ft)	A5E38663887
• 30 m (98 ft)	A5E38663900
• 40 m (131 ft)	A5E38663912
• 50 m (164 ft)	A5E38663947
Sensor cable, blue (Ex)	
• 5 m (16 ft)	A5E38664060
• 10 m (32 ft)	A5E38664087
• 15 m (49 ft)	A5E38667790
• 20 m (65 ft)	A5E38667850
• 25 m (82 ft)	A5E38668087
• 30 m (98 ft)	A5E38668128
• 40 m (131 ft)	A5E38668158
• 50 m (164 ft)	A5E38668945
Sensor replacement kit including seal disc, socket, pickup and O-rings (for pickup and pressure screw)	
• DN 15	A5E38669012
• DN 25	A5E38669021
• DN 40 ... DN 100	A5E38669057
• DN 150 ... DN 300	A5E38669134
Pressure sensor replacement kit including pressure sensor with calibration certificate, DUBOX plug and O-rings	
• 1 bar	A5E38669157
• 2 bar	A5E38669183
• 4 bar	A5E38669194
• 6 bar	A5E02181175
• 10 bar	A5E02181180
• 16 bar	A5E02181221
• 25 bar	A5E02181307
• 40 bar	A5E02181316
• 60 bar	A5E02181322
• 100 bar	A5E02181437

Description	Article No.
SITRANS FX300 upgrade kit (transmitter housing included) ¹⁾	
• FXT030 in compact design with HART (non-Ex/Ex-i)	A5E38669219
• FXT030 in compact design with HART (Ex-d)	A5E38669227
• FXT030 in remote design with HART (non-Ex/Ex-i)	A5E38669236
• FXT030 in remote design with HART (Ex-d)	A5E38669287

¹⁾ Please specify serial number of FX300 when placing order.

Selection and Ordering data	Article No.	Ord. code
SITRANS FX330 Flow Straightener	7 M E 2 9 0 0 -	0 0 0
↗ Click on the Article No. for the online configuration in the PIA Life Cycle Portal.		
Material		
Stainless steel 1.4404 (316L)		1
Nominal diameter		
DN 15 / ANSI ½"		A
DN 25 / ANSI 1"		B
DN 40 / ANSI 1½"		C
DN 50 / ANSI 2"		D
DN 80 / ANSI 3"		E
DN 100 / ANSI 4"		F
DN 150 / ANSI 6"		G
DN 200 / ANSI 8"		H
DN 250 / ANSI 10"		J
DN 300 / ANSI 12"		K
Pressure rating		
PN 10		A
PN 16		B
PN 25		C
PN 40		D
PN 63		E
PN 100		F
Class 150		J
Class 300		K
Class 600		L

Selection and Ordering data	Order code
Additional information	
Please add "-Z" to Article No. and specify Order code.	
Certificates	
Certificate of compliance to EN 10204-2.1	C10
Material certification of pressure bearing parts to EN 10204-3.1	C12
Material in accordance with NACE MR0175/ISO 15156	C13
PMI of pressure bearing parts + Inspection certificate according to EN 10204-3.1	C14
Material certificate of pressure bearing parts according to EN 10204-3.1 + PMI	C15
Cleaning	
Free of oil and grease (wetted parts)	K46
Free of oil and grease (wetted parts) + Inspection certificate according to EN 10204-3.1	K48

Flow Measurement

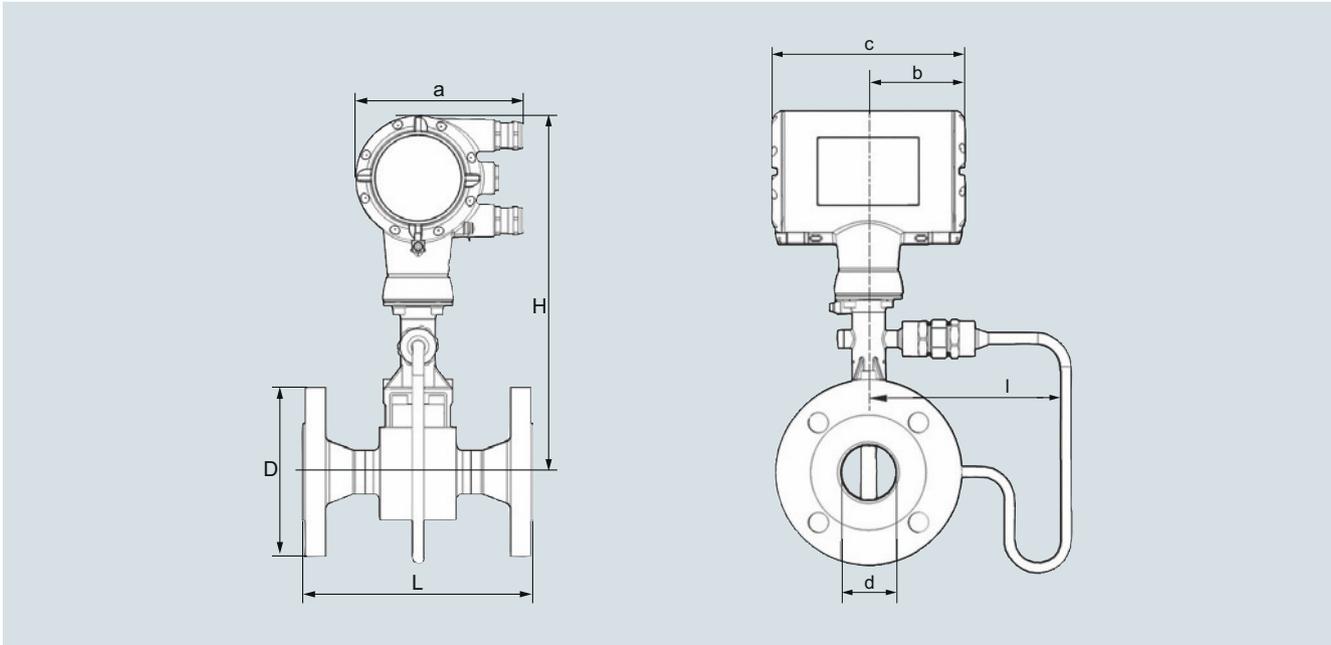
SITRANS F X

SITRANS FX330

Dimensional drawings

Compact version

3



Flanged version with pressure sensor

Flanged version EN 1092-1

Size ¹⁾		Dimensions [mm (inch)] a = 148.5 (5.85), b = 85.8 (3.38), c = 171.5 (6.76)							Weight [kg (lb)]	
DN	PN	d	d FR ¹⁾	d F2R ²⁾	D	L	H	I	Flowmeter (without pres- sure sensor)	Flowmeter (with pres- sure sensor)
15	40	17.3 (0.68)	-	-	95 (3.74)	200 (7.87)	358.8 (14.2)	169.3 (6.67)	5.5 (12.13)	6.1 (13.45)
15	100	17.3 (0.68)	-	-	105 (4.13)	200 (7.87)	358.8 (14.2)	169.3 (6.67)	6.5 (14.33)	7.1 (15.65)
25	40	28.5 (1.12)	17.3 (0.68)	-	115 (4.53)	200 (7.87)	358.4 (14.1)	169.3 (6.67)	7.3 (16.09)	7.9 (17.42)
25	100	28.5 (1.12)	17.3 (0.68)	-	140 (5.51)	200 (7.87)	358.4 (14.1)	169.3 (6.67)	9.3 (20.50)	9.9 (21.83)
40	40	43.1 (1.70)	28.5 (1.12)	17.3 (0.68)	150 (5.91)	200 (7.87)	362.3 (14.3)	169.5 (6.67)	10.2 (22.49)	10.8 (23.81)
40	100	42.5 (1.67)	28.5 (1.12)	17.3 (0.68)	170 (6.69)	200 (7.87)	362.3 (14.3)	169.5 (6.67)	14.2 (31.31)	14.8 (32.63)
50	16	54.5 (2.15)	42.5 (1.67)	28.5 (1.12)	165 (6.50)	200 (7.87)	368.3 (14.5)	169.3 (6.67)	12.1 (26.68)	12.7 (28.00)
50	40	54.5 (2.15)	42.5 (1.67)	28.5 (1.12)	165 (6.50)	200 (7.87)	368.3 (14.5)	169.3 (6.67)	12.3 (27.12)	12.9 (28.44)
50	63	54.5 (2.15)	42.5 (1.67)	28.5 (1.12)	180 (7.09)	200 (7.87)	368.3 (14.5)	169.3 (6.67)	16.3 (35.94)	16.9 (37.26)
50	100	53.9 (2.12)	42.5 (1.67)	28.5 (1.12)	195 (7.68)	200 (7.87)	368.3 (14.5)	169.3 (6.67)	17.8 (39.24)	18.4 (40.57)
80	16	82.5 (3.25)	54.5 (2.15)	42.5 (1.67)	200 (7.87)	200 (7.87)	380.3 (15.0)	169.3 (6.67)	16.8 (37.04)	17.4 (38.36)
80	40	82.5 (3.25)	54.5 (2.15)	42.5 (1.67)	200 (7.87)	200 (7.87)	380.3 (15.0)	169.3 (6.67)	18.8 (41.45)	19.4 (42.77)
80	63	81.7 (3.22)	54.5 (2.15)	42.5 (1.67)	215 (8.46)	200 (7.87)	380.3 (15.0)	169.3 (6.67)	22.8 (50.27)	23.4 (51.59)
80	100	80.9 (3.19)	54.5 (2.15)	42.5 (1.67)	230 (9.06)	200 (7.87)	380.3 (15.0)	169.3 (6.67)	26.8 (59.08)	27.4 (60.41)
100	16	107 (4.21)	80.9 (3.19)	54.5 (2.15)	220 (8.66)	250 (9.84)	396.8 (15.7)	171.5 (6.75)	21.4 (47.18)	22 (48.50)
100	40	107 (4.21)	80.9 (3.19)	54.5 (2.15)	235 (9.25)	250 (9.84)	396.8 (15.7)	171.5 (6.75)	24.4 (53.79)	25 (55.12)
100	63	106 (4.17)	80.9 (3.19)	54.5 (2.15)	250 (9.84)	250 (9.84)	396.8 (15.7)	171.5 (6.75)	29.4 (64.82)	30 (66.14)
100	100	104 (4.09)	80.9 (3.19)	54.5 (2.15)	265 (10.43)	250 (9.84)	396.8 (15.7)	171.5 (6.75)	35.4 (78.04)	36 (79.37)
150	16	159 (6.26)	107 (4.21)	80.9 (3.19)	285 (11.22)	300 (11.81)	416.3 (16.4)	191.5 (7.54)	35.2 (77.60)	35.8 (78.93)
150	40	159 (6.26)	107 (4.21)	80.9 (3.19)	300 (11.81)	300 (11.81)	416.3 (16.4)	191.5 (7.54)	41.2 (90.83)	41.8 (92.15)
150	63	157 (6.18)	107 (4.21)	80.9 (3.19)	345 (13.58)	300 (11.81)	416.3 (16.4)	191.5 (7.54)	59.2 (130.51)	59.8 (131.84)
150	100	154 (6.06)	107 (4.21)	80.9 (3.19)	355 (13.98)	300 (11.81)	416.3 (16.4)	191.5 (7.54)	67.2 (148.15)	67.8 (149.47)
200	10	207 (8.15)	159 (6.26)	107 (4.21)	340 (13.39)	300 (11.81)	442.1 (17.4)	202.8 (7.98)	37.8 (83.33)	38.4 (84.66)
200	16	207 (8.15)	159 (6.26)	107 (4.21)	340 (13.39)	300 (11.81)	442.1 (17.4)	202.8 (7.98)	37.8 (83.33)	38.4 (84.66)
200	25	207 (8.15)	159 (6.26)	107 (4.21)	360 (14.17)	300 (11.81)	442.1 (17.4)	202.8 (7.98)	46.8 (103.18)	47.4 (104.50)
200	40	207 (8.15)	159 (6.26)	107 (4.21)	375 (14.76)	300 (11.81)	442.1 (17.4)	202.8 (7.98)	54.8 (120.81)	55.4 (122.14)
250	10	260 (10.24)	207 (8.15)	159 (6.26)	395 (15.55)	380 (14.96)	468.8 (18.5)	229.5 (9.04)	57.4 (126.55)	58.0 (127.87)
250	16	260 (10.24)	207 (8.15)	159 (6.26)	405 (15.94)	380 (14.96)	468.8 (18.5)	229.5 (9.04)	58.4 (128.75)	59.0 (130.07)
250	25	259 (10.20)	207 (8.15)	159 (6.26)	425 (16.73)	380 (14.96)	468.8 (18.5)	229.5 (9.04)	74.4 (164.02)	75.0 (165.35)
250	40	259 (10.20)	207 (8.15)	159 (6.26)	450 (17.72)	380 (14.96)	468.8 (18.5)	229.5 (9.04)	92.4 (203.71)	93.0 (205.03)
300	10	310 (12.20)	260 (10.24)	207 (8.15)	445 (17.52)	450 (17.72)	492.8 (19.4)	255 (10.04)	75.7 (166.89)	76.3 (168.21)
300	16	310 (12.20)	260 (10.24)	207 (8.15)	460 (18.11)	450 (17.72)	492.8 (19.4)	255 (10.04)	82.2 (181.22)	82.8 (182.54)
300	25	308 (12.13)	260 (10.24)	207 (8.15)	485 (19.09)	450 (17.72)	492.8 (19.4)	255 (10.04)	98.7 (217.60)	99.3 (218.92)
300	40	308 (12.13)	260 (10.24)	207 (8.15)	515 (20.28)	450 (17.72)	492.8 (19.4)	255 (10.04)	127.5 (281.09)	128.1 (282.41)

FR - single reduction

²⁾ F2R - double reduction

Flow Measurement

SITRANS F X

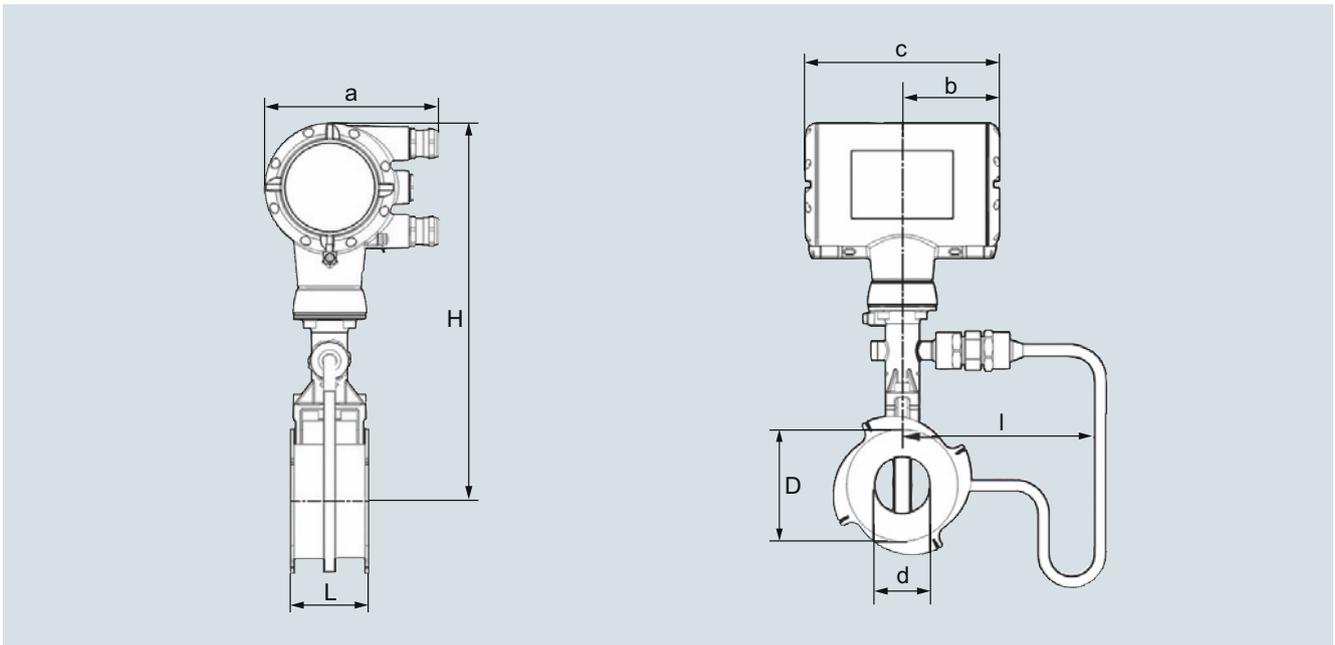
SITRANS FX330

Flanged version ANSI B16.5

Size	Pres- sure rating	Dimensions [mm (inch)]							Weight [kg (lb)]	
		a = 148.5 (5.85), b = 85.8 (3.38), c = 171.5 (6.76)							Flowmeter (without pres- sure sensor)	Flowmeter (with pres- sure sensor)
DN	Class	d	d FR ¹⁾	d F2R ²⁾	D	L	H	I		
½	150	16 (0.63)	-	-	90 (3.5)	200 (7.9)	358.8 (14.2)	169.3 (6.67)	4.5 (9.92)	5.1 (11.24)
½	300	16 (0.63)	-	-	95 (3.7)	200 (7.9)	358.8 (14.2)	169.3 (6.67)	4.9 (10.80)	5.5 (12.13)
½	600	14 (0.55)	-	-	95 (3.7)	200 (7.9)	358.8 (14.2)	169.3 (6.67)	5.1 (11.24)	5.7 (12.57)
1	150	27 (1.1)	15.8 (0.62)	-	110 (4.3)	200 (7.9)	358.4 (14.1)	169.3 (6.67)	6.2 (13.67)	6.8 (14.99)
1	300	27 (1.1)	15.8 (0.62)	-	125 (4.9)	200 (7.9)	358.4 (14.1)	169.3 (6.67)	7.2 (15.87)	7.8 (17.20)
1	600	24 (1.0)	15.8 (0.62)	-	125 (4.9)	200 (7.9)	358.4 (14.1)	169.3 (6.67)	7.5 (16.53)	8.1 (17.86)
1½	150	41 (1.6)	26.6 (1.1)	15.8 (0.6)	125 (4.9)	200 (7.9)	362.3 (14.3)	169.5 (6.67)	8.3 (18.30)	8.9 (19.62)
1½	300	41 (1.6)	26.6 (1.1)	15.8 (0.6)	155 (6.1)	200 (7.9)	362.3 (14.3)	169.5 (6.67)	10.4 (22.93)	11 (24.25)
1½	600	38 (1.5)	26.6 (1.1)	15.8 (0.6)	155 (6.1)	200 (7.9)	362.3 (14.3)	169.5 (6.67)	11.4 (25.13)	12 (26.46)
2	150	53 (2.1)	40.9 (1.6)	26.6 (1.1)	150 (5.9)	200 (7.9)	368.3 (14.5)	169.5 (6.67)	11 (24.25)	11.6 (25.57)
2	300	53 (2.1)	40.9 (1.6)	26.6 (1.1)	165 (6.5)	200 (7.9)	368.3 (14.5)	169.5 (6.67)	12.4 (27.34)	13 (28.66)
2	600	49 (1.9)	40.9 (1.6)	26.6 (1.1)	165 (6.5)	200 (7.9)	368.3 (14.5)	169.5 (6.67)	13.9 (30.64)	14.5 (31.97)
3	150	78 (3.1)	52.6 (2.1)	40.9 (1.6)	190 (7.5)	200 (7.9)	380.3 (15.0)	169.3 (6.67)	19.8 (43.65)	20.4 (44.97)
3	300	78 (3.1)	52.6 (2.1)	40.9 (1.6)	210 (8.3)	200 (7.9)	380.3 (15.0)	169.3 (6.67)	22.8 (50.27)	23.4 (51.59)
3	600	74 (2.9)	52.6 (2.1)	40.9 (1.6)	210 (8.3)	200 (7.9)	380.3 (15.0)	169.3 (6.67)	23.8 (52.47)	24.4 (53.79)
4	150	102 (4.0)	78 (3.1)	52.6 (2.1)	230 (9.1)	250 (9.8)	396.8 (15.7)	171.5 (6.76)	23.4 (51.59)	24 (52.91)
4	300	102 (4.0)	78 (3.1)	52.6 (2.1)	255 (10)	250 (9.8)	396.8 (15.7)	171.5 (6.76)	31.4 (69.23)	32 (70.55)
4	600	97 (3.8)	78 (3.1)	52.6 (2.1)	275 (11)	250 (9.8)	396.8 (15.7)	171.5 (6.76)	40.4 (89.07)	41 (90.39)
6	150	154 (6.1)	102 (4.0)	78.0 (3.1)	280 (11)	300 (12)	416.3 (16.4)	191.5 (7.54)	36.2 (79.81)	36.8 (81.13)
6	300	154 (6.1)	102 (4.0)	78.0 (3.1)	320 (13)	300 (12)	416.3 (16.4)	191.5 (7.54)	51.2 (112.88)	51.8 (114.20)
6	600	146 (5.8)	102 (4.0)	78.0 (3.1)	355 (14)	300 (12)	416.3 (16.4)	191.5 (7.54)	76.2 (167.99)	76.8 (169.31)
8	150	203 (8.0)	154 (6.1)	102 (4.0)	345 (14)	300 (12)	442.1 (17.4)	202.8 (8.0)	50.0 (110.23)	50.6 (111.55)
8	300	203 (8.0)	154 (6.1)	102 (4.0)	380 (15)	300 (12)	442.1 (17.4)	202.8 (8.0)	74.8 (164.91)	75.4 (166.23)
10	150	255 (10.0)	203 (8.0)	154 (6.1)	405 (16)	380 (15)	468.8 (18.5)	229.5 (9.04)	74.4 (164.02)	75.0 (165.35)
10	300	255 (10.0)	203 (8.0)	154 (6.1)	455 (18)	380 (15)	468.8 (18.5)	229.5 (9.04)	106.4 (234.57)	107.0 (235.89)
12	150	305 (12.0)	255 (10.0)	203 (8.0)	485 (19)	450 (18)	492.8 (19.4)	255 (10.0)	106.4 (234.35)	107.0 (235.67)
12	300	305 (12.0)	255 (10.0)	203 (8.0)	520 (21)	450 (18)	492.8 (19.4)	255 (10.0)	151.4 (333.56)	152.0 (334.88)

1) FR - single reduction

2) F2R - double reduction



Sandwich version with pressure sensor

Sandwich version EN

Size DN	Pressure rating PN	Dimensions [mm (inch)]								Weight [kg (lb)]	
		a	b	c	d	D	L	H	I	Flowmeter (without pressure sensor)	Flowmeter (with pres- sure sen- sor)
15	16 ... 100	133 (5.24)	105 (4.13)	179 (7.05)	16 (0.63)	45 (1.77)	65 (2.56)	265 (10.43)	174.25 (6.86)	3.5 (7.72)	4.1 (9.04)
25	16 ... 100	133 (5.24)	105 (4.13)	179 (7.05)	24 (0.94)	65 (2.56)	65 (2.56)	265 (10.43)	174.25 (6.86)	4.3 (9.48)	4.9 (10.80)
40	16 ... 100	133 (5.24)	105 (4.13)	179 (7.05)	38 (1.50)	82 (3.23)	65 (2.56)	270 (10.63)	174.5 (6.87)	4.9 (10.80)	5.5 (12.13)
50	16 ... 100	133 (5.24)	105 (4.13)	179 (7.05)	50 (1.97)	102 (4.02)	65 (2.56)	275 (10.83)	174.5 (6.87)	6 (13.23)	6.6 (14.55)
80	16 ... 100	133 (5.24)	105 (4.13)	179 (7.05)	74 (2.91)	135 (5.31)	65 (2.56)	290 (11.42)	174.25 (6.86)	8.2 (18.08)	8.8 (19.40)
100	16 ... 100	133 (5.24)	105 (4.13)	179 (7.05)	97 (3.82)	158 (6.22)	65 (2.56)	310 (12.20)	176.5 (6.95)	9.5 (20.94)	10.1 (22.27)

Sandwich version ANSI

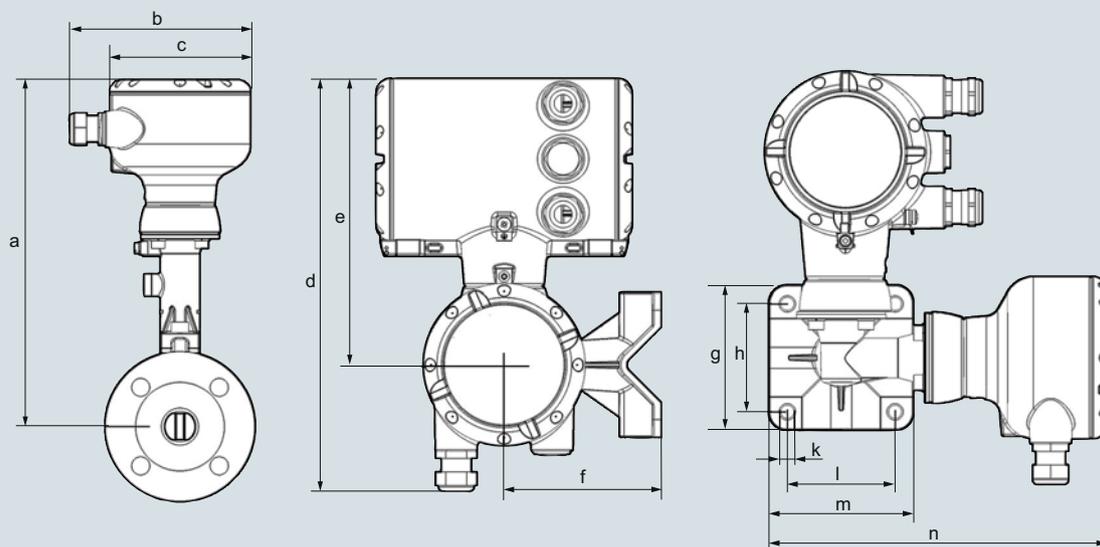
Size DN	Pressure rating Class	Dimensions [inch]								Weight [lb]	
		a	b	c	d	D	L	H	I	Flowmeter (without pressure sensor)	Flowmeter (with pres- sure sensor)
½"	150, 300	5.32	4.26	7.25	0.63	1.77	2.56	10.43	6.82	7.72	9.04
½"	600	5.32	4.26	7.25	0.55	1.77	2.56	10.43	6.82	7.72	9.04
1"	150, 300, 600	5.32	4.26	7.25	0.94	2.56	2.56	10.43	6.82	9.48	10.80
1½"	150, 300, 600	5.32	4.26	7.25	1.50	3.23	2.56	10.63	6.87	10.80	12.13
2"	150, 300, 600	5.32	4.26	7.25	1.97	4.02	2.56	10.83	6.87	13.23	14.55
3"	150, 300, 600	5.32	4.26	7.25	2.91	5.31	2.56	11.42	6.82	18.08	19.40
4"	150, 300, 600	5.32	4.26	7.25	3.82	6.22	2.56	12.20	6.95	20.94	22.27

Flow Measurement

SITRANS F X

SITRANS FX330

Remote version



Dimension a

DN	Flanged and Sandwich version						Flanged version			
	15	25	40	50	80	100	150	200	250	300
	½"	1"	1½"	2"	3"	4"	6"	8"	10"	12"
[mm]	265.7	265.2	269.2	275.2	287.2	303.7	323.2	348.9	375.7	399.7
[inch]	10.5	10.4	10.6	10.8	11.3	12.0	12.7	13.7	14.8	15.7

Dimension a F1/2R

DN	Flanged version									
	15	25	40	50	80	100	150	200	250	300
	½"	1"	1½"	2"	3"	4"	6"	8"	10"	12"
F1R ¹⁾ [mm]	-	315.7	315.2	319.2	325.2	337.2	353.7	373.2	398.9	425.7
F1R ¹⁾ [inch]	-	12.4	12.4	12.6	12.8	13.3	13.9	14.7	15.7	16.8
F2R ²⁾ [mm]	-	-	315.7	315.2	319.2	325.2	337.2	353.7	373.2	398.9
F2R ²⁾ [inch]	-	-	12.4	12.4	12.6	12.8	13.3	13.9	14.7	15.7

1) FR - single reduction

2) F2R - double reduction

Dimension b ... n

	b	c	d	e	f	g	h	j	k	l	m	n
[mm]	139	108	276	191	105	97	72	108	9	72	97	226
[inch]	5.46	4.25	10.9	7.53	4.14	3.82	2.84	4.25	0.35	2.84	3.82	8.90

Flow tablesMeasuring Range Limits**Water**

Size		Q_{\min}	Q_{\max}	Q_{\min}	Q_{\max}
DN to EN 1092-1	DN to ANSI B16.5	EN 1092-1 [m ³ /h]	EN 1092-1 [m ³ /h]	ANSI B16.5 [m ³ /h]	ANSI B16.5 [m ³ /h]
15	½"	0.45	5.07	0.44	4.94
25	1"	0.81	11.40	0.81	11.40
40	1½"	2.04	28.58	2.04	28.58
50	2"	3.53	49.48	3.53	49.48
80	3"	7.74	108.37	7.74	108.37
100	4"	13.30	186.22	13.30	186.21
150	6"	30.13	421.86	30.13	421.86
200	8"	56.60	792.42	56.60	792.42
250	10"	90.48	1 266.8	90.48	1 266.8
300	12"	131.41	1 839.8	131.41	1 839.8

Values based on water at 20 °C (68 °F)

Air

Size		Q_{\min}	Q_{\max}	Q_{\min}	Q_{\max}
DN to EN 1092-1	DN to ANSI B16.5	EN 1092-1 [m ³ /h]	EN 1092-1 [m ³ /h]	ANSI B16.5 [m ³ /h]	ANSI B16.5 [m ³ /h]
15	½"	6.80	25.33	6.72	24.70
25	1"	10.20	81.43	10.20	81.43
40	1½"	25.35	326.63	25.35	326.63
50	2"	43.89	565.49	43.89	565.49
80	3"	96.14	1 238.64	96.14	1 238.6
100	4"	165.19	2 128.27	165.19	2 128.27
150	6"	374.23	4 821.60	374.23	4 821.6
200	8"	702.95	9 056.8	702.95	9 056.8
250	10"	1 123.7	14 478.0	1 123.7	14 478.0
300	12"	1 632.1	21 028.0	1 632.1	21 028.0

Values based on air at 20 °C (68 °F) and 1.013 bar_{abs} (14.7 psi_{abs})

Flow Measurement

SITRANS F X

SITRANS FX330

Measuring range saturated steam: 1 to 7 bar

Overpressure [bar]		1		3.5		5.2		7	
Density [kg/m ³]		1.13498		2.4258		3.27653		4.16732	
Temperature [°C]		120.6		148.2		160.4		170.6	
Flow [kg/h]		min.	max.	min.	max.	min.	max.	min.	max.
DN to EN 1092-1	DN to ANSI B16.5								
15	½"	5.87	28.75	7.68	61.46	8.93	83.01	10.06	105.57
25	1"	11.82	92.42	17.28	197.53	20.09	266.81	22.66	339.35
40	1½"	29.64	370.71	43.33	792.33	50.63	1 070.2	56.80	1 361.2
50	2"	51.31	641.82	75.02	1 371.8	87.19	1 852.8	98.33	2 356.6
80	3"	112.41	1 405.8	164.33	3 004.7	191.00	4 058.4	215.39	5 161.8
100	4"	193.14	2 415.5	282.36	5 162.7	328.16	6 973.3	370.09	8 869.2
150	6"	437.56	5 472.4	639.69	11 696.0	743.45	15 798.0	838.44	20 093.0
200	8"	821.9	10 279.0	1 201.6	21 970.0	1 396.5	29 675.0	1 574.9	37 743.0
250	10"	1 313.9	16 433.0	1 920.9	35 122.0	2 232.5	47 439.0	2 517.7	60 337.0
300	12"	1 908.3	23 866.0	2 789.8	51 010.0	3 242.4	68 899.0	3 656.6	87 630.0

Measuring range saturated steam: 10.5 to 20 bar

Overpressure [bar]		10.5		14.0		17.5		20.0	
Density [kg/m ³]		5.88803		7.60297		9.31702		10.5442	
Temperature [°C]		186.2		198.5		208.7		215.0	
Flow [kg/h]		min.	max.	min.	max.	min.	max.	min.	max.
DN to EN 1092-1	DN to ANSI B16.5								
15	½"	12.78	149.17	16.51	192.61	20.23	236.04	22.89	267.12
25	1"	26.93	479.46	30.60	619.11	33.87	758.69	36.04	858.62
40	1½"	67.51	1 878.2	76.72	2 150.7	84.93	2 395.3	90.35	2 557.7
50	2"	116.89	3 251.7	132.82	3 723.4	147.03	4 147	156.42	4 428.1
80	3"	256.03	7 122.4	290.93	8 155.8	322.06	9 083.7	342.62	9 699.3
100	4"	439.91	12 238	499.90	14 013	553.38	15 608.0	588.69	16 666
150	6"	996.62	27 725.0	1 132.5	31 747	1 253.7	35 359.0	1 333.7	37 756
200	8"	1 872.1	52 079.0	2 127.3	59 634	2 354.9	66 419.0	2 505.2	70 921
250	10"	2 992.7	83 254.0	3 400.7	95 333	3 764.6	106 180.0	4 004.9	113 380
300	12"	4 346.5	120 920.0	4 939.1	138 460	5 467.5	154 210	5 816.5	164 660

Measuring range saturated steam: 15 to 100 psig

Overpressure [psig]		15		50		75		100	
Density [lb/ft³]		0.0719		0.1497		0.2036		0.2569	
Temperature [°F]		249.98		297.86		320.36		338.184	
Flow [lb/h]		min.	max.	min.	max.	min.	max.	min.	max.
DN to EN 1092-1	DN to ANSI B16.5								
15	½"	12.95	64.35	16.83	133.87	19.62	182.02	22.04	229.63
25	1"	26.25	206.83	37.86	430.30	44.15	585.06	49.59	738.09
40	1½"	65.81	829.61	94.92	1 726.0	110.68	2 346.7	124.32	2 960.5
50	2"	113.94	1 436.3	164.34	2 988.0	191.63	4 062.9	215.23	5 125.6
80	3"	249.57	3 146.1	360.00	6 545.3	419.74	8 899.4	471.45	11 227.0
100	4"	428.81	5 405.7	618.51	11 246.0	721.21	15 291.0	810.06	19 291.0
150	6"	971.47	12 246.0	1 401.2	25 478.0	1 633.9	34 642.0	1 835.2	43 703.0
200	8"	1 824.8	23 004.0	2 632.1	47 859.0	3 069.1	65 072.0	3 447.2	82 092.0
250	10"	2 917.2	36 774.0	4 207.7	76 508.0	4 906.4	104 030.0	5 510.8	131 230.0
300	12"	4 236.8	53 410.0	6 111.1	111 120.0	7 125.8	151 080.0	8 003.6	190 600.0

Measuring range saturated steam: 150 to 300 psig

Overpressure [psig]		150		200		250		300	
Density [lb/ft³]		0.3627		0.4681		0.5735		0.6792	
Temperature [°F]		366.08		388.04		406.22		422.06	
Flow [lb/h]		min.	max.	min.	max.	min.	max.	min.	max.
DN to EN 1092-1	DN to ANSI B16.5								
15	½"	27.79	324.21	35.86	418.47	43.94	512.66	52.04	607.12
25	1"	58.93	1 042.1	66.94	1 345.1	74.10	1 647.8	80.63	1 951.5
40	1½"	147.72	4 107.2	167.83	4 702.8	185.76	5 237.0	202.15	5 728.0
50	2"	255.75	7 111.9	290.56	8 141.9	321.60	9 066.8	350.00	9 917.0
80	3"	560.19	15 578.0	636.44	17 834.0	704.43	19 860.0	766.60	21 722.0
100	4"	962.54	26 766.0	1 093.5	30 643.0	1 210.4	34 124.0	1 317.2	37 324.0
150	6"	2 180.6	60 639.0	2 477.4	69 421.0	2 742.1	77 307.0	2 984.0	84 556.0
200	8"	4 096.1	113 900.0	4 653.6	130 400.0	5 150.7	145 210.0	5 605.2	158 830.0
250	10"	6 548.1	182 090.0	7 439.3	208 460.0	8 234.1	232 140.0	8 960.6	253 910.0
300	12"	9 510.2	264 460.0	10 805.0	302 760.0	11 959.0	337 150.0	13 014.0	368 770.0