

Load Cells

SIWAREX WL260 SP-S AA

Load cell

Overview



The load cell is suitable for small platform scales with one load cell (max. platform size 400 x 400 mm (15.75 x 15.75 inch)) as well as for use in medium accuracy weighing machines of Class III with a max. scale verification intervals $n_{\max} = 3\ 000d$.

Design

The measuring element is hermetically encapsulated and has a calibrated output current.

Technical specifications

SIWAREX WL260 SP-S AA	
Possible applications	<ul style="list-style-type: none"> Platform scales Small conveyor scales
Type	Platform load cell
Loads	
Rated load E_{\max} .	<ul style="list-style-type: none"> 3 kg (6.61 lb) 5 kg (11.02 lb) 10 kg (22.05 lb) 20 kg (44.09 lb) 50 kg (110.23 lb) 100 kg (220.46 lb)
Min. initial loading E_{\min}	0 % E_{\max}
Max. working load L_U	150 % E_{\max}
Break load L_D	300 % E_{\max}
Max. lateral load L_{Lq}	100 % E_{\max}
Measurement characteristic values	
Rated measuring path h_n at E_{\max}	< 0.6 mm
Rated characteristic value C_n	2.0 ± 0.2 mV/V
Tolerance D0 of zero signal	± 2 % C_n
Max. scale interval n_{Ic}	3 000
Min. scale interval V_{\min}	
<ul style="list-style-type: none"> $E_{\max} = 3, 5, 10$ kg (6.61, 11.02, 22.05 lb) $E_{\max} = 20, 50$ kg (44.0, 110.23 lb) $E_{\max} = 100$ kg (220.46 lb) 	$E_{\max}/12\ 000$ $E_{\max}/12\ 000$ $E_{\max}/12\ 000$
Combined error F_{comb}	± 0.02 % C_n
Deviation F_v	± 0.017 % C_n
Creepage error F_{Cr}	
30 min	± 0.02 % C_n
Electrical characteristic values	
Recommended reference voltage U_{ref}	DC 5 ... 12 V
Input resistance R_e	$409\ \Omega \pm 6\ \Omega$
Output resistance R_a	$350\ \Omega \pm 3\ \Omega$
Insulation resistance R_{Is}	5 000 M Ω at 50 V DC
Temperature coefficient	
<ul style="list-style-type: none"> Zero signal T_{K0} Characteristic value T_{Kc} 	0.017 % $C_n/5$ K 0.014 % $C_n/5$ K

SIWAREX WL260 SP-S AA

Connection and ambient conditions

Sensor material (DIN)	Aluminum
Max. tightening torque of fixing screws	15 ... 20 Nm

Function

Function	Color
• EXC + (supply +)	Red
• EXC - (supply -)	Black
• SIG + (measured signal +)	Green
• SIG - (measured signal -)	White
• Sense + (sensor line +)	Blue
• Sense - (sensor line -)	brown
• Shield	Transparent

Rated temperature range B_{Tn}	-10 ... +40 °C (14 ... 104 °F)
Operating temperature range B_{Tu}	-35 ... +65 °C (-31 ... +149 °F)
Storage temperature range B_{Ts}	-35 ... +65 °C (-31 ... +149 °F)
Degree of protection to DIN EN 60529; IEC 60529	IP65

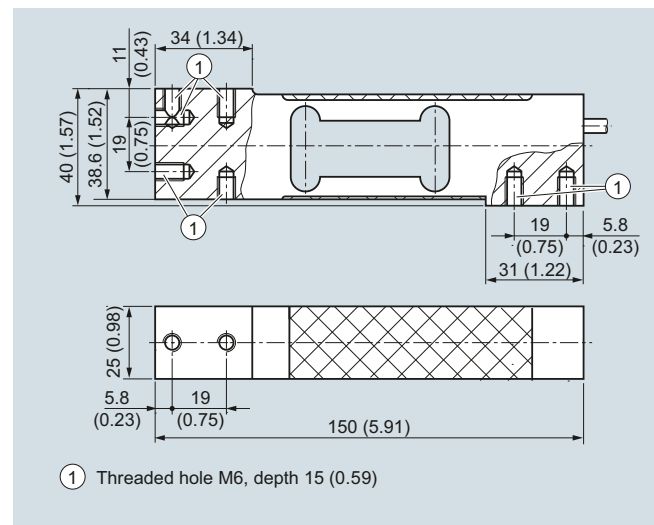
Certificates and approvals

Accuracy class according to OIML R60	C3
--------------------------------------	----

Selection and ordering data

Load cell type WL260 SP-S AA	Article No.
Legal-for-trade according to OIML R60 to 3 000d, connection cable 3 m (9.84 ft)	7MH5102-D 0 0
Click on the Article No. for the online configuration in the PIA Life Cycle Portal.	
Rated load	
• 3 kg (6.61 lb)	1 K
• 5 kg (11.02 lb)	1 P
• 10 kg (22.05 lb)	2 A
• 20 kg (44.09 lb)	2 G
• 50 kg (110.23 lb)	2 P
• 100 kg (220.46 lb)	3 A

Dimensional drawings



Load cell SIWAREX WL 260 SP-S AA, dimensions in mm (inch)